

## ARYMA 1,5 L

**Kind :** Drying machine

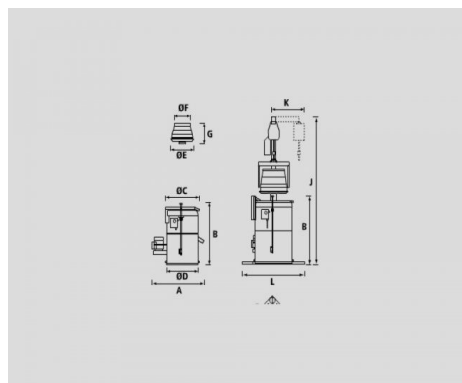
**Brand :** ARYMA

**Model :** 1,5 L

**Year :** 2005

**Serial Nr:** 446

**Stock Nr :** 5683P



### TECHNICAL DETAILS

See drawing enclosed

- capacity A : 425 [mm]
- capacity B : 490 [mm]
- capacity C : 265 [mm]
- capacity D : 235 [mm]
- capacity E : 175 [mm]
- capacity F : 120 [mm]
- capacity G : 170 [mm]
- motor : 0.16 [CV]
- machine speed : 3100 [rpm]
- permissible load : 1.5 [kg]
- weight : 20 [kg]
- Voltage : 400 [V]

### EQUIPMENT

- a cover
- a mechanical brake
- an electric general switch

New machine.